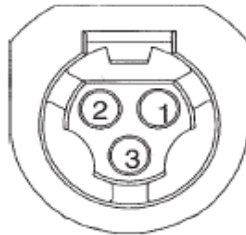
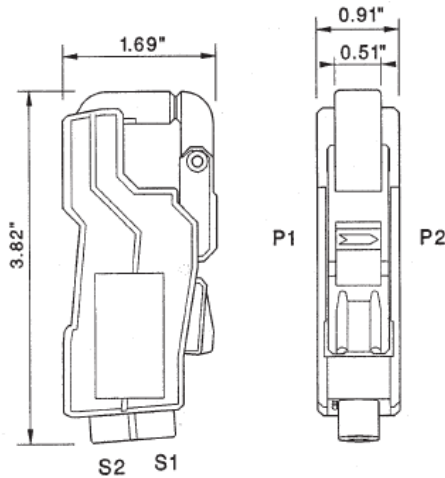


**AC CURRENT MICROCLAMPS**

MEETING IEC STANDARD 348 CLASS II

**M1-Series**

600 VOLTS



**General Specifications**

**ACCURACY CLASS:** 1%  
**OPERATING VOLTAGE:** 640 VOLTS MAX.  
**ISOLATION TEST:** 4.0 kV - 1 MINUTE  
**CURRENT RATING:** FULL SCALE - CONTINUOUS  
 100% OVERRANGE - 3 MINUTES  
**TEMPERATURE RANGE:** -10 to + 50 Deg. C  
**CABLE SIZE:** 0.59"  
**DIMENSIONS:** 3.8" x 1.69" x 0.9"  
**WEIGHT:** 0.25 lb  
**OUTPUT TERMINALS:** 4mm Safety Terminals  
 Cable - Optional  
**COLOR:**  
**CURRENT OUTPUT:** Gray  
**VOLTAGE OUTPUT:** Blue

Specifications subject to change without notification.

**K-Type Microclamps include a DO1 Connector that mates with the receptacle shown:**

- Pin1 : Clamp output - HIGH**
- Pin2 : Clamp output - LOW**
- Pin 3: Optional Shield**

600 Volt Rating is only for use on INSULATED conductors

MODEL	CURRENT RANGE	OUTPUT	MAX CURRENT	LOAD (Ohms)	PHASE (Deg.)	FREQUENCY RANGE (Hz)	
						For 3%	For -3db
<b>AC MICROCLAMPS with AC VOLTAGE OUTPUT</b>							
M1V-0.25-1	5mA to 250mA	1.0 V	1 A	> 1 MEG	4.0	40 - 2,000	30 - 40,000
M1V-0.5-1	5mA to 500mA	1.0 V	2 A	> 1 MEG	4.0	40 - 2,000	30 - 40,000
M1V-1-1	5mA to 1 A	1.0 V	10 A	> 300 K	4.0	40 - 2,000	30 - 40,000
M1V-5-1	20mA to 5 A	1.0 V	50 A	> 100 K	3.0	40 - 2,000	30 - 40,000
M1V-5-2	20mA to 5 A	2.0 V	25 A	> 150 K	3.5	40 - 2,000	30 - 40,000
M1V-10-1	50mA to 10 A	1.0 V	100 A	> 30 K	2.5	40 - 2,000	30 - 40,000
M1V-10-2	25mA to 10 A	2.0 V	50 A	> 100 K	3.0	40 - 2,000	30 - 40,000
M1V-10-5	10mA to 10 A	5.0 V	200 A	> 200 K	2.0	40 - 2,000	30 - 40,000
M1V-20-1	100mA to 20 A	1.0 V	100 A	> 10 K	2.0	40 - 2,000	30 - 40,000
M1V-20-2	50mA to 20 A	2.0 V	100 A	> 30 K	2.5	40 - 2,000	30 - 40,000
M1V-20-5	20mA to 20 A	5.0 V	40 A	> 150 K	3.0	40 - 2,000	30 - 40,000
M1V-50-1	200mA to 50 A	1.0 V	200 A	> 50 K	1.5	40 - 2,000	30 - 40,000
M1V-50-2	100mA to 50 A	2.0 V	200 A	> 10 K	2.0	40 - 2,000	30 - 40,000
M1V-50-5	50mA to 50 A	5.0 V	100 A	> 30 K	2.5	40 - 2,000	30 - 40,000
M1V-100-1	50mA to 100 A	1.0 V	200 A	> 50 K	3.0	40 - 2,000	30 - 10,000
M1V-100-5	50mA to 100 A	5.0 V	150 A	> 50 K	3.0	40 - 2,000	30 - 10,000
M1V-200-1	100mA to 200 A	1.0 V	300 A	> 50 K	3.0	40 - 2,000	30 - 10,000
M1V-200-2	100mA to 200 A	2.0 V	300 A	> 100 K	3.0	40 - 2,000	30 - 10,000
M1V-200-5	100mA to 200 A	5.0 V	300 A	> 200 K	3.0	40 - 2,000	30 - 10,000
<b>AC MICROCLAMPS with AC CURRENT OUTPUT</b>							
M1-100-1	50mA to 100 A	1.0 A	200 A	0.1 to 0.5	1.5 to 2.5	40 - 2,000	30 - 10,000
M1-200-0.1	100mA to 200 A	0.1 A	300 A	0.1 to 10	1.5 to 2.5	40 - 2,000	30 - 10,000
M1-200-0.2	100mA to 200 A	0.2 A	300 A	0.1 to 5	1.5 to 2.5	40 - 2,000	30 - 10,000
M1-200-1	100mA to 200 A	1.0 A	300 A	0.1 to 0.5	1.5 to 2.5	40 - 2,000	30 - 10,000

**AC CURRENT MICROCLAMPS**

MEETING IEC STANDARD 1010-2 CATEGORY III Pollution 2

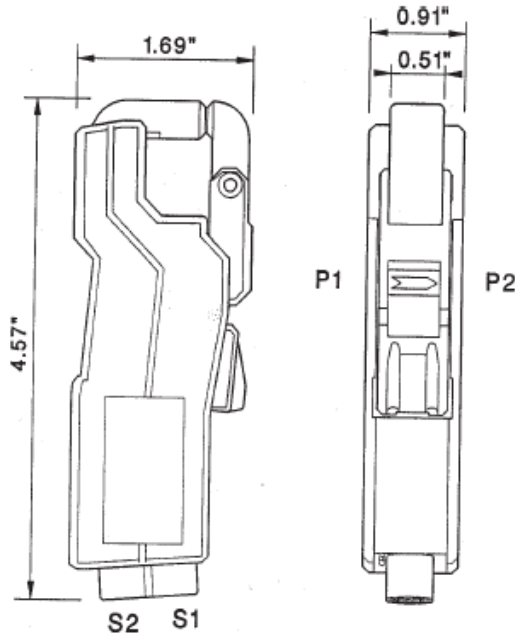
**M2-Series**

600 VOLTS

**General Specifications**

**ACCURACY CLASS:** 1%  
**OPERATING VOLTAGE:** 650 VOLTS MAX.  
**ISOLATION TEST:** 4.0 kV - 1 MINUTE  
**CURRENT RATING:** FULL SCALE - CONTINUOUS  
 100% OVERRANGE - 3 MINUTES  
**TEMPERATURE RANGE:** -10 to + 50 Deg. C  
**CABLE SIZE:** 0.59"  
**DIMENSIONS:** 4.5" x 1.69" x 0.9"  
**WEIGHT:** 0.37 lb  
**OUTPUT TERMINALS:** 4mm Safety Terminals  
 Cable - Optional  
**COLOR:** Blue

Specifications subject to change without notification.



Special cables and connectors are available.

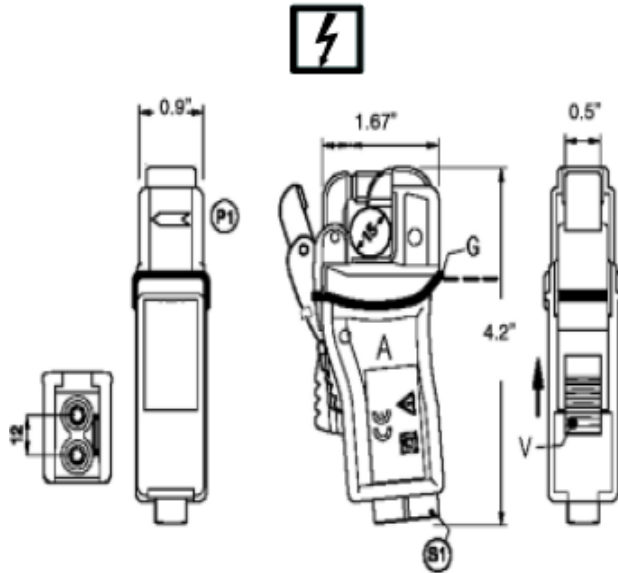
MODEL	CURRENT RANGE	OUTPUT	MAX CURRENT	LOAD (Ohms)	PHASE (Deg.)	FREQUENCY RANGE (Hz)	
						For 3%	For -3db
<b>AC MICROCLAMPS with DC VOLTAGE OUTPUT</b>							
M2V-25-1DC	0.5 to 25 AAC	1.0 VDC	50 AAC	> 50 K	N/A	40 - 2,000	30 - 10,000
M2V-100-1DC	5 to 100 AAC	1.0 VDC	200 AAC	> 20 K	N/A	40 - 2,000	30 - 10,000
M2V-200-1DC	10 to 200 AAC	1.0 VDC	200 AAC	> 20 K	N/A	40 - 2,000	30 - 10,000
M2V-200-2DC	10 to 200 AAC	2.0 VDC	300 AAC	> 10 K	N/A	40 - 2,000	30 - 10,000
<b>TRIPLE-RANGE AC MICROCLAMPS with AC VOLTAGE OUTPUT</b>							
M2V-3-20-1	5-10-20 AAC	1.0 VAC	30 AAC	> 10 K	3.0	40 - 2,000	30 - 10,000
M2V-3-100-1	25-50-100 AAC	1.0 VAC	200 AAC	> 10 K	3.0	40 - 2,000	30 - 10,000
M2V-3-200-1	50-100-200 AAC	1.0 VAC	300 AAC	> 10 K	3.0	40 - 2,000	30 - 10,000

**AC CURRENT MICROCLAMPS**

MEETING IEC STANDARD 61010-2-032 CATEGORY III, POLLUTION 2

**M3-Series**

600 VOLTS



**General Specifications**

- ACCURACY CLASS:** 1%
- OPERATING VOLTAGE:** 600 VOLTS MAX.
- CURRENT RATING:** FULL SCALE
  - CONTINUOUS 100% OVERRANGE
  - 3 MINUTES
- TEMPERATURE RANGE:** -10 to + 50 Deg. C
- CABLE SIZE:** 0.59"
- DIMENSIONS:** 3.9" x 2.2" x 0.95"
- WEIGHT:** 0.25 lb
- OUTPUT TERMINALS:** 4mm Safety Terminals  
Cable - Optional
- COLOR:**
  - CURRENT OUTPUT:** Gray
  - VOLTAGE OUTPUT:** Blue

Specifications subject to change without notification.

600 Volt Rating is for use on INSULATED or NON-INSULATED conductors

MODEL	CURRENT RANGE	OUTPUT	MAX CURRENT	LOAD (Ohms)	PHASE (Deg.)	FREQUENCY RANGE (Hz)	
						For 3%	For -3db
<b>AC MICROCLAMPS with AC VOLTAGE OUTPUT</b>							
M3V-1-1	5mA to 1 A	1.0 V	10 A	> 300 K	3.0	40 - 2,000	30 - 40,000
M3V-5-1	20mA to 5 A	1.0 V	50 A	> 100 K	3.0	40 - 2,000	30 - 40,000
M3V-5-2	20mA to 5 A	2.0 V	25 A	> 150 K	3.0	40 - 2,000	30 - 40,000
M3V-5-5	20mA to 5 A	5.0 V	25 A	> 150 K	3.0	40 - 2,000	30 - 40,000
M3V-10-1	50mA to 10 A	1.0 V	100 A	> 30 K	2.5	40 - 2,000	30 - 40,000
M3V-10-2	25mA to 10 A	2.0 V	50 A	> 100 K	3.0	40 - 2,000	30 - 40,000
M3V-10-5	10mA to 10 A	5.0 V	200 A	> 200 K	2.0	40 - 2,000	30 - 40,000
M3V-20-1	100mA to 20 A	1.0 V	100 A	> 10 K	2.0	40 - 2,000	30 - 40,000
M3V-20-2	50mA to 20 A	2.0 V	100 A	> 30 K	2.5	40 - 2,000	30 - 40,000
M3V-20-5	20mA to 20 A	5.0 V	40 A	> 150 K	3.0	40 - 2,000	30 - 40,000
M3V-30-3	20mA to 30 A	3.0 V	50 A	> 150 K	3.0	40 - 2,000	30 - 40,000
M3V-50-1	200mA to 50 A	1.0 V	200 A	> 50 K	1.5	40 - 2,000	30 - 40,000
M3V-50-2	100mA to 50 A	2.0 V	200 A	> 10 K	2.0	40 - 2,000	30 - 40,000
M3V-50-5	50mA to 50 A	5.0 V	100 A	> 30 K	2.5	40 - 2,000	30 - 40,000
M3V-100-1	50mA to 100 A	1.0 V	200 A	> 50 K	3.0	40 - 2,000	30 - 10,000
M3V-100-5	50mA to 100 A	5.0 V	150 A	> 50 K	3.0	40 - 2,000	30 - 10,000
M3V-200-1	100mA to 200 A	1.0 V	300 A	> 50 K	3.0	40 - 2,000	30 - 10,000
M3V-200-2	100mA to 200 A	2.0 V	300 A	> 100 K	3.0	40 - 2,000	30 - 10,000
M3V-200-5	100mA to 200 A	5.0 V	300 A	> 200 K	3.0	40 - 2,000	30 - 10,000
<b>AC MICROCLAMPS with AC CURRENT OUTPUT</b>							
M3-100-1	50mA to 100 A	1.0 A	200 A	0.1 to 0.5	1.5 to 2.5	40 - 2,000	30 - 10,000
M3-200-0.2	100mA to 200 A	0.2 A	300 A	0.1 to 5	1.5 to 2.5	40 - 2,000	30 - 10,000
M3-200-1	100mA to 200 A	1.0 A	300 A	0.1 to 0.5	1.5 to 2.5	40 - 2,000	30 - 10,000