

FLEXIBLE CORE CURRENT TRANSFORMERS

MODEL: 2052FSH

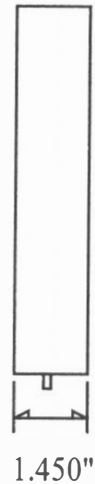
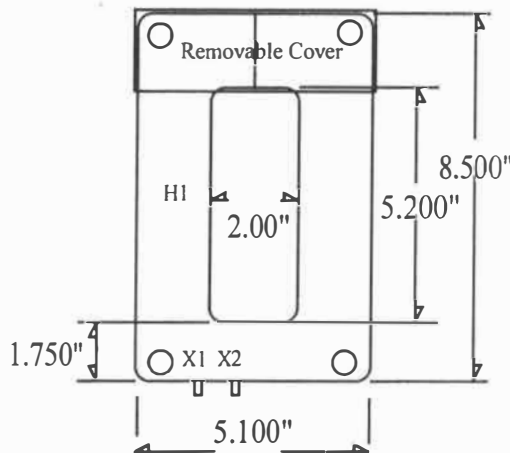
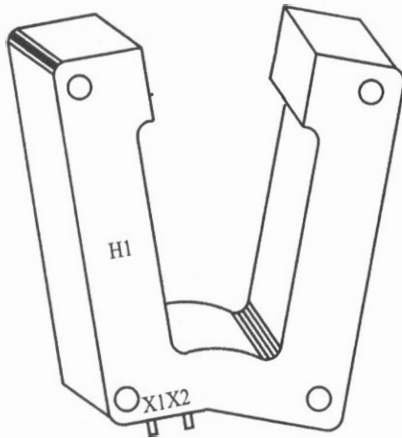
Window size 2.00 x 5.20

Standard 5-amp secondary.
Others available.

APPLICATION:
Ammeters, Wattmeters and Relays.

CONTINUOUS THERMAL RATING:
1.33 at 30 C. amb.; 1.0 at 55 C. amb. Average.

INSULATION CLASS:
0.6 kV. BIL 10kV. full wave. 50-400 Hz.



MODEL 2055FSH-***

- Terminals are brass
No. 10-32UNC
- All models:
Fully encapsulated.
Indoor/outdoor applications.
- Approximate weight 5 lbs.
- Additional ratios available.

NOTE: 2400:5 and up has an
Rf. of 1 @ 30 C. amb.

Made in the United States of America

CATALOG NUMBER	CURRENT RATIO	ANSI METERING CLASS AT 60 Hz			VA @ +/- 1% CLASS
		B0.1	B0.2	B0.5	
***-500	500:5	2.4	4.8	-	5.0
***-600	600:5	2.4	4.8	-	5.0
***-800	800:5	2.4	2.4	-	7.5
***-1000	1000:5	1.2	1.2	2.4	10.0
***-1200	1200:5	1.2	1.2	2.4	10.0
***-1500	1500:5	0.6	1.2	1.2	15.0
***-1600	1600:5	0.6	0.6	1.2	20.0
***-2000	2000:5	0.6	0.6	1.2	20.0
***-2400	2400:5	0.6	0.6	0.6	30.0
***-2500	2500:5	0.6	0.6	0.6	30.0
***-3000	3000:5	0.6	0.6	0.6	30.0
***-3500	3500:5	0.6	0.6	0.6	30.0
***-4000	4000:5	0.6	0.6	0.6	30.0
***-5000	5000:5	0.6	0.6	0.6	35.0
***-6000	6000:5	0.6	0.6	0.6	35.0

