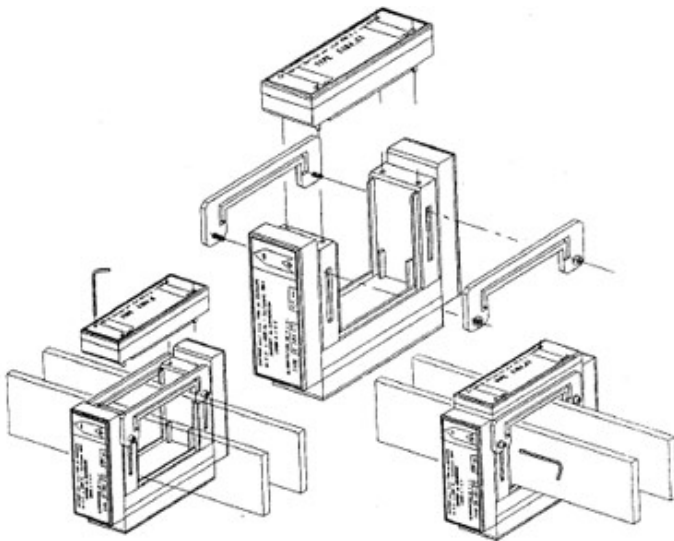


**C-104 Series Split-Core Current Transformers**

**AC/DC OPEN-FRAME CURRENT TRANSDUCERS C-104**

MEETING IEC SAFETY STANDARD 1010-1 CATEGORY III 1000 VOLTS



**General Specifications**

**ACCURACY CLASS:** 1.5%

**Ranges are in DC or AC**

**P-T-P** 2% from 300 to 15,000 ADC

**Where P-T-P = Peak-to-Peak AC Signal**

**AC ACCURACY:** 1% from 1,200 to 10,000 A P-T-P

2% from 600 to 30,000 A P-T-P

**CURRENT RATING:** 100% OVERANGE -

CONTINUOUS 500% OVERANGE - 3 MINUTES

**WINDOW SIZE:** 4" x 4"

**OPERATING VOLTAGE:** 1.5 kV Max.

**ISOLATION TEST:** 10 kV - 1 MINUTE

**TEMPERATURE RANGE:** -10 to + 50 Deg. C

**DIMENSIONS:** 9.4" x 8.7" x 2.5"

**OUTPUT TERMINALS:** 4mm Safety Terminals

**WEIGHT:** 8 Lbs.

**OUTPUT TERMINALS:** Screw-type terminals

**NOTE: DC ACCURACY:** 1% from 600 to 5000 ADC

MODEL	DC CURRENT RANGE		AC CURRENT RANGE		RATIO	SUPPLY VOLTAGE	FREQUENCY RANGE
	Primary Current	Output	Primary Current	Output			
C104AR-120	160 to 8,000 ADC	2 VDC	320 to 16,000 A P-T-P	4 V P-T-P	0.25 mV/A	120 VAC 50-60 Hz	DC to 2,000
C104AR-240	160 to 8,000 ADC	2 VDC	320 to 16,000 A P-T-P	4 V P-T-P	0.25 mV/A	240 VAC 50-60 Hz	DC to 2,000
C104AS-120	200 to 10,000 ADC	2 VDC	400 to 20,000 A P-T-P	4 V P-T-P	0.2 mV/A	120 VAC 50-60 Hz	DC to 2,000
C104AS-240	200 to 10,000 ADC	2 VDC	400 to 20,000 A P-T-P	4 V P-T-P	0.2 mV/A	240 VAC 50-60 Hz	DC to 2,000
C104AT-120	300 to 15,000 ADC	7.5 VDC	600 to 30,000 A P-T-P	15 V P-T-P	0.5 mV/A	120 VAC 50-60 Hz	DC to 2,000
C104AT-240	300 to 15,000 ADC	7.5 VDC	600 to 30,000 A P-T-P	15 V P-T-P	0.5 mV/A	240 VAC 50-60 Hz	DC to 2,000
C104CT-48	300 to 15,000 ADC	7.5 VDC	600 to 30,000 A P-T-P	15 V P-T-P	0.5 mV/A	48 VDC	DC to 2,000