

AC/DC HALL-EFFECT CURRENT CLAMPS

PC-SERIES

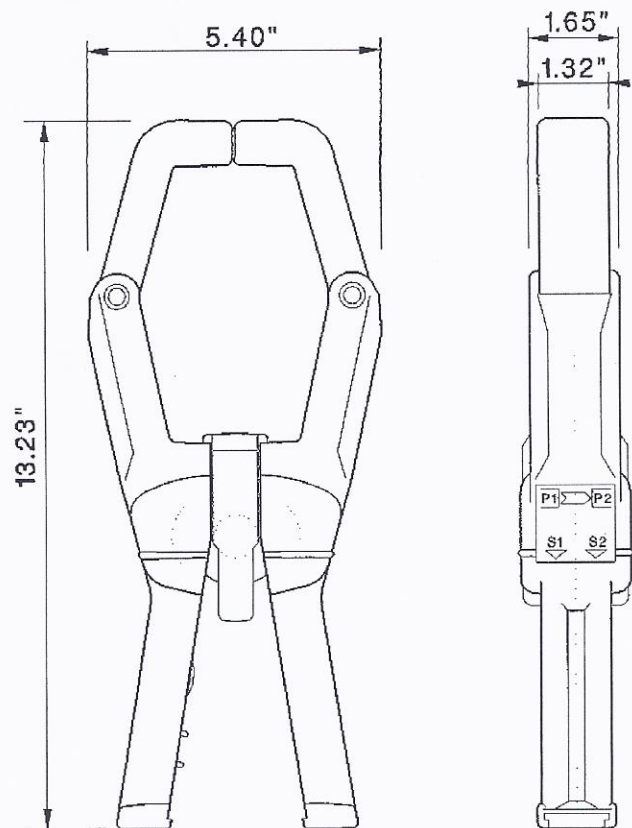
MEETING IEC SAFETY STANDARDS 1010-1 CATEGORY III 600 VOLTS

GENERAL SPECIFICATIONS

ACCURACY CLASS: 1.5%
OPERATING VOLTAGE: 600 VOLTS MAX.
ISOLATION TEST: 5.55 kV - 1 MINUTE
CURRENT RATING: FULL SCALE - CONTINUOUS
 100% OVERRANGE - 3 MINUTES
TEMPERATURE RANGE: -10 to + 50 Deg. C
CABLE SIZE: 3.27"
BUSBAR SIZE: 4.8" x 2.13" or 4.0" x 2.5"
DIMENSIONS: 13.23" x 5.4" x 2.0"
WEIGHT: 4.0 to 4.25 lb
OUTPUT:
 P1C Clamps: 6-ft open-ended cable
 P3C Clamps: Include a 9-VDC Battery

COLOR: Red

Specifications subject to change without notification



NOTE: Ranges are in DC or AC P-T-P, where P-T-P is Peak-to-Peak AC Current.
 The maximum P-T-P value is twice the value of each DC current range.

MODEL	HIGH RANGE		LOW RANGE		MAX CURRENT	FREQUENCY RANGE (Hz)	
	Primary Current	Output	Primary Current	Output		For 3%	For -3 db
AC/DC CLAMPS REQUIRING EXTERNAL 9 to 24 Volt POWER SUPPLY							
P1C-2000-2	20 - 2000 ADC 40 - 4000 A P-T-P	2 VDC 4 V P-T-P			4000 ADC	DC to 3,000	DC to 5,000
P1C-4000-2	40 - 4000 ADC 80 - 8000 A P-T-P	2 VDC 4 V P-T-P			8000 ADC	DC to 3,000	DC to 5,000
P1C-5000-2	50 - 5000 ADC 100-10000 A P-T-P	2 VDC 4 V P-T-P			10000 ADC	DC to 2,000	DC to 4,000
P1C-7500-2	75 - 7500 ADC 150-15000 A P-T-P	1.5 VDC 3 V P-T-P			10000 ADC	DC to 2,000	DC to 4,000
AC/DC CLAMPS WITH INTERNAL 9-VOLT BATTERY							
P3C-2000-2	20 - 2000 ADC 40 - 4000 A P-T-P	2.0 VDC 4 V P-T-P	2 - 200 ADC 4 - 400 A P-T-P	2 VDC 4 V P-T-P	4000 ADC	DC to 3,000	DC to 5,000
P3C-4000-2	40 - 4000 ADC 80 - 8000 A P-T-P	2.0 VDC 4 V P-T-P	5 - 500 ADC 10 - 1000 A P-T-P	2 VDC 4 V P-T-P	8000 ADC	DC to 3,000	DC to 5,000
P3C-5000-2	50 - 5000 ADC 100-10000 A P-T-P	2.0 VDC 4 V P-T-P	10 - 1000 ADC 20 - 2000 A P-T-P	2 VDC 4 V P-T-P	10000 ADC	DC to 2,000	DC to 4,000
P3C-7500-A	75 - 7500 ADC 150-15000 A P-T-P	1.5 VDC 3 V P-T-P	10 - 1000 ADC 20 - 2000 A P-T-P	2 VDC 4 V P-T-P	10000 ADC	DC to 2,000	DC to 4,000
P3C-7500-C	75 - 7500 ADC 150-15000 A P-T-P	1.5 VDC 3 V P-T-P	40 - 4000 ADC 80 - 8000 A P-T-P	2 VDC 4 V P-T-P	10000 ADC	DC to 2,000	DC to 4,000

AYA - Instruments, Inc.

TEL: 412-622-5500 FAX: 412-681-3773

5001 Baum Boulevard, Pittsburgh, PA 15213

www.ayainstruments.com