

# CURRENT TRANSFORMERS

Window Diameter 2.0"

Model: RT2020

Fully encapsulated.  
Indoor/outdoor applications.

Standard 1-amp secondary.  
Others available.

APPLICATION:

Ammeters, Watthour Meters, Wattmeters, Relays.

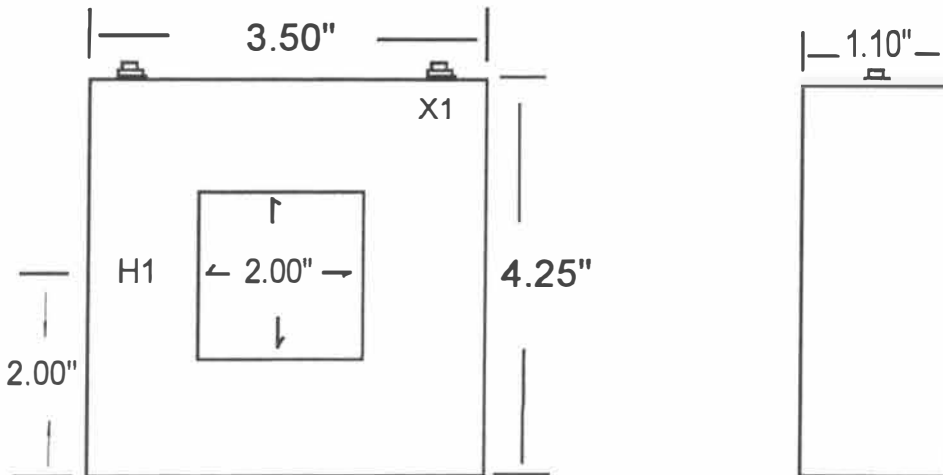
CONTINUOUS THERMAL RATING:

1.33 at 30 C. amb.; 1.0 at 55 C. amb., Average.

INSULATION CLASS:

0.6 kV. BIL 10kV. full wave.

50-400 Hz.



Model: RT2020-\*\*

CATALOG NUMBER	CURRENT RATIO AMPERES	V.A. FOR +- 1% CLASS	ANSI METERING CLASS AT 60Hz			
			BO.1	BO.2	BO.5	BO.9
** -100	100:1	1.2	2.4	-	-	-
** -150	150:1	2.5	1.2	2.4	-	-
** -200	200:1	5.0	0.6	1.2	-	-
** -250	250:1	7.5	0.6	1.2	1.2	-
** -300	300:1	10.0	0.6	0.6	1.2	2.4
** -400	400:1	15.0	0.3	0.3	0.6	1.2
** -500	500:1	25.0	0.3	0.3	0.6	1.2
** -600	600:1	25.0	0.3	0.3	0.6	0.6
** -750	750:1	30.0	0.3	0.3	0.6	0.6
** -800	800:1	30.0	0.3	0.3	0.6	0.6
** -1000	1000:1	35.0	0.3	0.3	0.3	0.6
** -1200	1200:1	40.0	0.3	0.3	0.3	0.3
** -1500	1500:1	40.0	0.3	0.3	0.3	0.3
** -1600	1600:1	50.0	0.3	0.3	0.3	0.3

• Terminals are brass  
No. 10-32 UNC with one flatwasher and lockwasher.

• Approximate weight 1 lbs.

• Additional ratios available.



5001 Baum Blvd., Pittsburgh, PA 15213  
info@ayainstruments.com | 412.622.5500

Made in the United States of America