

## CURRENT TRANSFORMERS

### Model 2 (Window Size: 1.00", 1.05" & 1.10" Diameters)

**Application:** Generally used with ammeters.

**Frequency:** 50-400 Hz

**Insulation Level:** 600 Volts, 10Kv BIL Full Wave

**Standards:** CSA 66.1-06, CSA 66.2-06, IEEE C 57.13, and UL 506

- Flexible leads available for all case configurations. Flexible leads are UL 1015 105°C, C.S.A approved #16 AWG, 24" long standard length. Non-standard lengths are available upon request.
- Terminals are brass. Stud and Female options w/ hardware available. See Page 2 (Note: Terminals are only available on the square case configuration.)
- Mounting brackets kits for the Model 2SHT or 2SHL are available when required.
- Approximate weight: 0.5 lbs.



2SFT



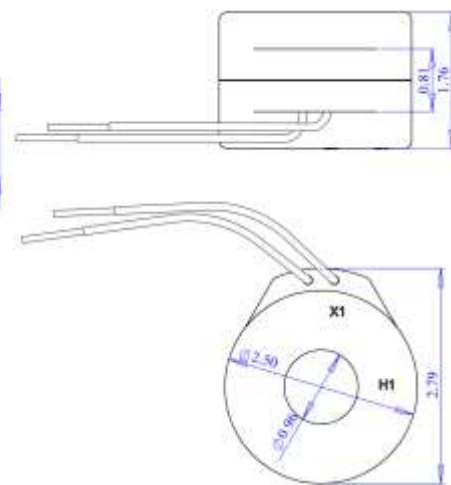
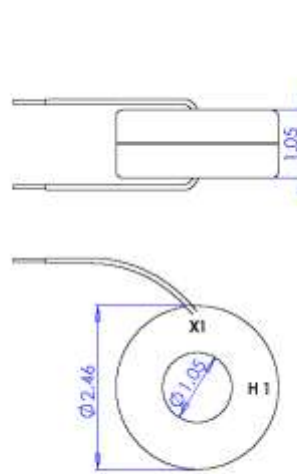
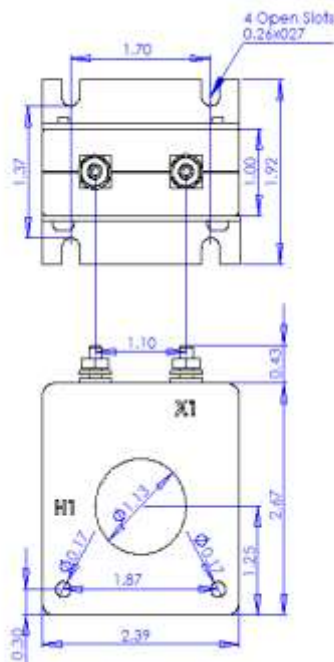
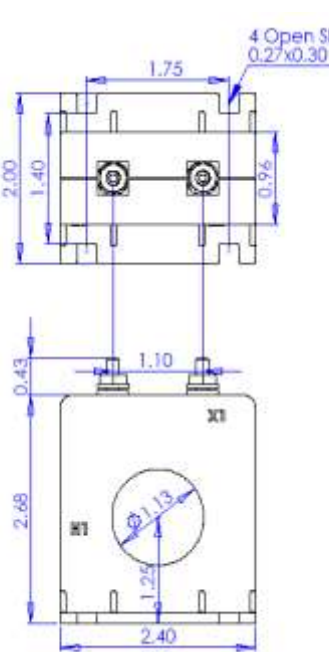
2 SHT



2 RL



2 DRL



\*Note-Mounting brackets for the 2SHT and 2SHL are sold separately (Part Number 1121A00019-1)

## CURRENT TRANSFORMERS

Model 2 (**Window Size:** 1.00", 1.05" & 1.10" Diameters)

Catalog Number	Current Ratio	Models 2SFT, 2SHT, 2RL		Models 2DRL	
		Accuracy at 60 Hz	Burden VA at 60Hz	Accuracy at 60 Hz	Burden VA at 60Hz
2 **--500	50:5	± 3%	2.0	± 2%	1.5
2 **--600	60:5	± 2%	2.0	± 1%	2.5
2 **--750	75:5	± 2%	2.0	± 1%	3.5
2 **--800	80:5	± 2%	2.0	± 1%	4.0
2 **--101	100:5	± 1%	2.0	± 1%	5.0
2 **--121	120:5	± 1%	2.5	± 1%	5.0
2 **--1250	125:5	± 1%	2.5	± 1%	5.0
2 **--151	150:5	± 1%	4.0	± 1%	8.0
2 **--201	200:5	± 1%	4.0	± 1%	10.0
2 **--251	250:5	± 1%	6.0	± 1%	12.5
2 **--301	300:5	± 1%	8.0	± 1%	15.0
2 **--401	400:5	± 1%	10.0	± 1%	20.0

Note: When ordering, use prefix below to indicate unit designation/configuration. (i.e. 2SFT-101)

RL = Thin Round Case with Standard 24" leads (Non-standard lengths are available upon request)

DRL= Thick Round Case and 24" leads

SHX\* = Square Case with mounting holes

SFX\* = Square Case w/molded feet and terminals

T = Male (Brass studs No. 8-32 UNC with one flat washer, one lock washer and one nut each)

Y = Female (Brass with one Cup washer, one lock washer and one No. 8-32 UNC binding head screw each)



L = 16awg Lead Wire

Y = Female Terminals

T = Male Terminals

\*X is to be replaced with "L", "Y" or "T" for terminal or lead designation.

**\*Note-Mounting brackets for the 2SHT and 2SHL are sold separately (Part Number 1121A00019-1)**