

POTENTIAL TRANSFORMERS

MEDIUM VOLTAGE POTENTIAL TRANSFORMER

MODEL PT3

POTENTIAL TRANSFORMERS

FEATURES

- Secondary Terminals are No. 10-32 screws with one lock washer & flat washer.
- The core and coil assembly is encased in a plastic enclosure and vacuum encapsulated in polyurethane resin.
- Thermal burden rating is for 120 volt secondaries.
- 50Hz designs are available.
- Indoor type
- Fuses have 0.81" or 1.0" Dia. Caps and 4.25" or 5" clip centers.

5KV CLASS

All models on this page
UL recognized



SPECIFICATIONS

ACCURACY CLASS

0.3 WX, 0.6MY, 1.2Z at 100% rated voltage with 120V based ANSI burden. 0.6 WX 1.2 MY at 58% rated voltage with 69.3V based ANSI burden.

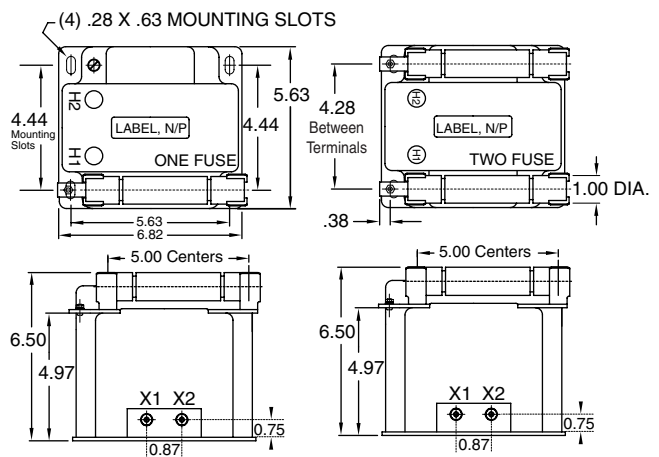
Frequency..... 60Hz
 Insulation Class 5.6kV
 Basic Impulse Level..... 45kV BIL
 Thermal Rating..... 600VA at 30°C Amb.
 400VA at 55°C Amb.
 Approximate Weight..... 24 Lbs.



DIMENSIONS

PT3-1-45

PT3-2-45



All Dimensions In Inches

	TWO BUSHING (b)			
	CATALOG NUMBER	PRIMARY VOLTAGE	RATIO	SECONDARY VOLTAGE
	PT3-2-45-841FF	840	7:1	120
	PT3-2-45-122FF	1200	10:1	120
	PT3-2-45-242FF	2400	20:1	120
	PT3-2-45-332FF	3300	30:1	110-50Hz
	PT3-2-45-422FF	4200	35:1	120
	PT3-2-45-482FF	4800	40:1	120
	SINGLE BUSHING (a)			
	PT3-1-45-242F	2400	20:1	120
	PT3-1-45-422F	4200	35:1	120
	PT3-1-45-482F	4800	40:1	120

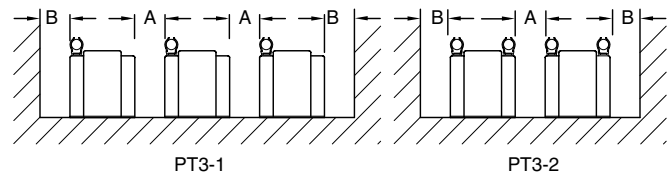
(a) Voltage transformers connected line-to-ground cannot be considered to be grounding transformers and must not be operated with the secondaries in closed delta because excessive currents may flow in the delta. Use single bushing with single fuse for Y type transformers.

(b) Two fuse transformers should not be used for Y connections. It is preferred practice to connect one lead from each potential transformer directly to the neutral terminal, using a fuse in the line side of the primary only. By this connection a transformer can never be "alive" from the line side by reason of a blown fuse in the neutral side. For continuous operation, the transformer primary voltage should not exceed 110% of rated value. Use two bushing with two fuses for delta type transformers.

Note: It is recommended that the system line-to-line voltage not exceed the transformer insulation-class voltage.

RECOMMENDED SPACINGS

A = Unit To Unit = 0.75" Min.
 B = HV To Ground In Air = 3.0" Min.



Recommended spacings are for guidance only. User needs to set appropriate values to assure performance for: high potential test, impulse test, high humidity, partial discharge, high altitude, and other considerations like configuration.

FUSE FOR MODEL PT3-45 TRANSFORMER	RATING VOLTS	INTERRUPTING AMPERES (SYM)	CONTINUOUS AMPERES	CAP DIA. INCHES	LENGTH INCHES	CLIP CENTERS INCHES	REPLACEMENT FUSE #
PT3-45-841FF and PT3-45-122FF	2,400	40,000	2.0EA	0.80	4.50	4.00	JCD-2E
PT3-45-242FF & F and PT3-45-332FF	5,500	50,000	2.0EA	1.00	5.63	5.00	5.5ABWNA2E
PT3-45-422FF & F and PT3-45-482FF & F	5,500	50,000	1.0EA	1.00	5.63	5.00	5.5ABWNA1E