

Measuring, Metering, Monitoring, and
Analyzing Electrical Energy

5001 Baum Blvd. Pittsburgh, PA 15213

P: 412-622-5500 – F: 412-681-3773

www.ayainstruments.com

AC CURRENT MICROCLAMPS

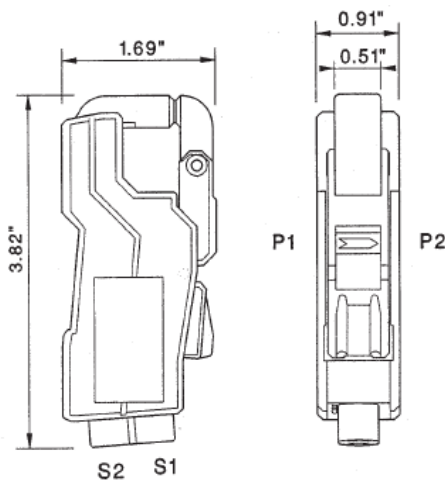
MEETING IEC STANDARD 348 CLASS II

M1-Series

600 VOLTS

THE AC MICROCLAMPS

The micro clamps can enclose cables with a max. diameter of 15mm and measure current from 10mA up to 200A*. The M1 and M2 can only be used on insulated conductors while the M3 and M4 meet the 600V CAT. III safety level requirements. The longer casing of the M2 and M4 allow space for a PCB, useful for some applications, for example to improve the phase shift for power measurement



General Specifications

ACCURACY CLASS:	1%
OPERATING VOLTAGE:	640 VOLTS MAX.
ISOLATION TEST:	4.0 kV - 1 MINUTE
CURRENT RATING:	FULL SCALE - CONTINUOUS 100% OVERRANGE - 3 MINUTES
TEMPERATURE RANGE:	-10 to + 50 Deg. C
CABLE SIZE:	0.59"
DIMENSIONS:	3.8" x 1.69" x 0.9"
WEIGHT:	0.25 lb
OUTPUT TERMINALS:	4mm Safety Terminals Cable - Optional
COLOR:	
CURRENT OUTPUT:	Gray
VOLTAGE OUTPUT:	Blue

MODEL	CURRENT RANGE	OUTPUT	MAX CURRENT	LOAD (Ohms)	PHASE (Deg.)	FREQUENCY RANGE (Hz)	
						For 3%	For -3db
AC MICROCLAMPS with AC VOLTAGE OUTPUT							
M1V-0.25-1	5mA to 250mA	1.0 V	1 A	> 1 MEG	4.0	40 - 2,000	30 - 40,000
M1V-0.5-1	5mA to 500mA	1.0 V	2 A	> 1 MEG	4.0	40 - 2,000	30 - 40,000
M1V-1-1	5mA to 1 A	1.0 V	10 A	> 300 K	4.0	40 - 2,000	30 - 40,000
M1V-5-1	20mA to 5 A	1.0 V	50 A	> 100 K	3.0	40 - 2,000	30 - 40,000
M1V-5-2	20mA to 5 A	2.0 V	25 A	> 150 K	3.5	40 - 2,000	30 - 40,000
M1V-10-1	50mA to 10 A	1.0 V	100 A	> 30 K	2.5	40 - 2,000	30 - 40,000
M1V-10-2	25mA to 10 A	2.0 V	50 A	> 100 K	3.0	40 - 2,000	30 - 40,000
M1V-10-5	10mA to 10 A	5.0 V	200 A	> 200 K	2.0	40 - 2,000	30 - 40,000
M1V-20-1	100mA to 20 A	1.0 V	100 A	> 10 K	2.0	40 - 2,000	30 - 40,000
M1V-20-2	50mA to 20 A	2.0 V	100 A	> 30 K	2.5	40 - 2,000	30 - 40,000
M1V-20-5	20mA to 20 A	5.0 V	40 A	> 150 K	3.0	40 - 2,000	30 - 40,000
M1V-50-1	200mA to 50 A	1.0 V	200 A	> 50 K	1.5	40 - 2,000	30 - 40,000
M1V-50-2	100mA to 50 A	2.0 V	200 A	> 10 K	2.0	40 - 2,000	30 - 40,000
M1V-50-5	50mA to 50 A	5.0 V	100 A	> 30 K	2.5	40 - 2,000	30 - 40,000
M1V-100-1	50mA to 100 A	1.0 V	200 A	> 50 K	3.0	40 - 2,000	30 - 10,000
M1V-100-5	50mA to 100 A	5.0 V	150 A	> 50 K	3.0	40 - 2,000	30 - 10,000
M1V-200-1	100mA to 200 A	1.0 V	300 A	> 50 K	3.0	40 - 2,000	30 - 10,000
M1V-200-2	100mA to 200 A	2.0 V	300 A	> 100 K	3.0	40 - 2,000	30 - 10,000
M1V-200-5	100mA to 200 A	5.0 V	300 A	> 200 K	3.0	40 - 2,000	30 - 10,000
AC MICROCLAMPS with AC CURRENT OUTPUT							
M1-100-1	50mA to 100 A	1.0 A	200 A	0.1 to 0.5	1.5 to 2.5	40 - 2,000	30 - 10,000
M1-200-0.1	100mA to 200 A	0.1 A	300 A	0.1 to 10	1.5 to 2.5	40 - 2,000	30 - 10,000
M1-200-0.2	100mA to 200 A	0.2 A	300 A	0.1 to 5	1.5 to 2.5	40 - 2,000	30 - 10,000
M1-200-1	100mA to 200 A	1.0 A	300 A	0.1 to 0.5	1.5 to 2.5	40 - 2,000	30 - 10,000

www.ayainstruments.com