



Measuring, Metering, Monitoring, and  
Analyzing Electrical Energy

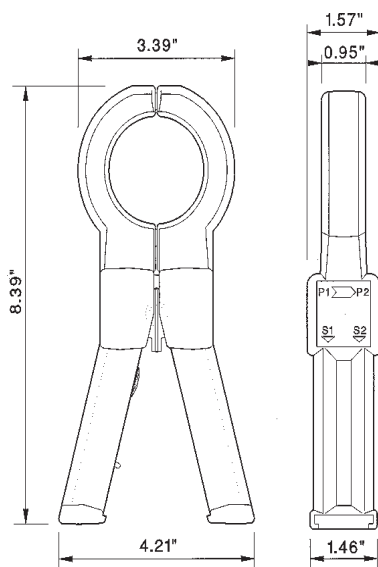
5001 Baum Blvd. Pittsburgh, PA 15213

P: 412-622-5500 – F: 412-681-3773

www.ayainstruments.com

**AC/DC HALL EFFECT CURRENT CLAMPS**  
MEETING IEC SAFETY STANDARDS 1010-1 CATEGORY III

**SC-Series**  
600 VOLTS



### General Specifications

<b>ACCURACY CLASS:</b>	1.5%
<b>OPERATING VOLTAGE:</b>	600 VOLTS MAX.
<b>ISOLATION TEST:</b>	5.55 kV - 1 MINUTE
<b>CURRENT RATING:</b>	FULL SCALE - CONTINUOUS 100% OVERRANGE - 3 MINUTES
<b>TEMPERATURE RANGE:</b>	-10 to + 50 Deg. C
<b>CABLE SIZE:</b>	1.97"
<b>BASBAR SIZE:</b>	1.97" x 0.47"
<b>DIMENSIONS:</b>	8.39" x 4.2" x 1.6"
<b>WEIGHT:</b>	1 to 1.25 lb
<b>OUTPUT:</b>	
<b>S1C Clamps:</b>	6-ft open-ended cable
<b>S2C and S3C Clamps:</b>	Include a 9-VDC Battery
<b>COLOR:</b>	Red

Specifications subject to change without notification.

**NOTE:** Ranges are in DC or AC P-T-P, where P-T-P is Peak-to-Peak AC Current.  
The maximum P-T-P value is twice the value of each DC current range.

MODEL	HIGH RANGE		LOW RANGE		MAX CURRENT	FREQUENCY RANGE (Hz)	
	Primary Current	Output	Primary Current	Output		For 3%	For -3 db
AC/DC CLAMPS REQUIRING EXTERNAL 9 to 15 Volt POWER SUPPLY							
S1C-200-1	2 - 200 ADC 4 - 400 A P-T-P	1.0 VDC 2 V P-T-P			400 ADC	DC to 3,000	DC to 5,000
S1C-500-1	5- 500 ADC 10-1000 A P-T-P	1.0 VDC 2 V P-T-P			1000 ADC	DC to 3,000	DC to 5,000
S1C-1000-1	10 - 1000 ADC 20-2000 A P-T-P	1.0 VDC 2 V P-T-P			2000 ADC	DC to 3,000	DC to 5,000
S1C-1500-1	15 - 1500 ADC 30 - 3000 A P-T-P	1.5 VDC 3 V P-T-P			3000 ADC	DC to 3,000	DC to 5,000
AC/DC CLAMPS WITH INTERNAL 9-VOLT BATTERY							
S2C-100-1	1 - 100 ADC 2 - 200 A P-T-P	1.0 VDC 2 V P-T-P			200 ADC	DC to 3,000	DC to 5,000
S2C-200-1	2- 200 ADC 4 - 400 A P-T-P	1.0 VDC 2 V P-T-P			400 ADC	DC to 3,000	DC to 5,000
S2C-1000-1	10 - 1000 ADC 20-2000 A P-T-P	1.0 VDC 2 V P-T-P			1500 ADC	DC to 3,000	DC to 5,000
S2C-2000-2	20 - 2000 ADC 40 - 4000 A P-T-P	2.0 VDC 4 V P-T-P			3000 ADC	DC to 3,000	DC to 5,000
S3C-1000-1	10 - 1000 ADC 20-2000 A P-T-P	1.0 VDC 2 V P-T-P	1 to 100 ADC	1.0 VDC	1500 ADC	DC to 3,000	DC to 5,000
S3C-2000-2	20 - 2000 ADC 40 - 4000 A P-T-P	2.0 VDC 4 V P-T-P	2 to 200 ADC	2.0 VDC	3000 ADC	DC to 3,000	DC to 5,000